

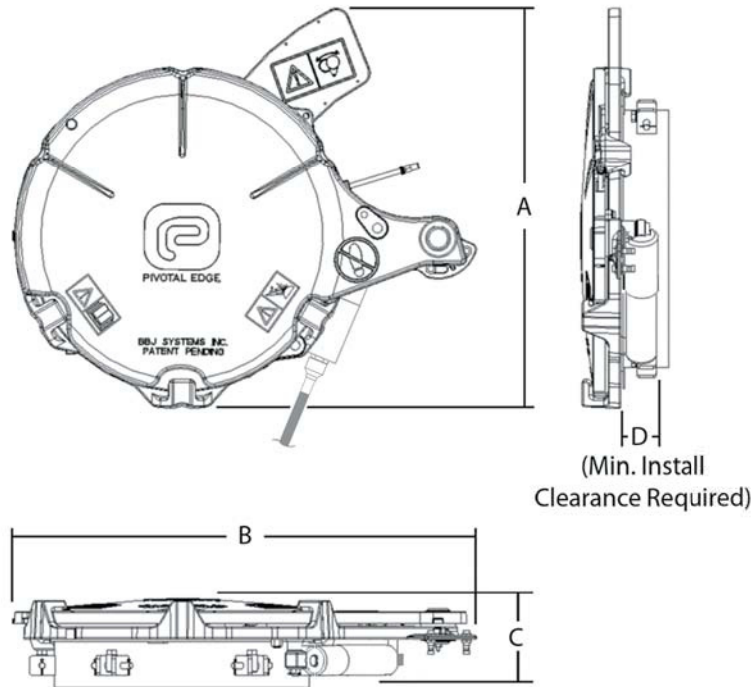


# PIVOTAL EDGE

Manual Version

- \* Work safely on the ground
- \* Faster loading cycles
- \* Inflatable gasket maintains a positive seal
- \* No welding required for installation and is compatible with most 20 inch manholes
- \* Manual crank
- \* Screw jack operation

## Cover Dimensions



Overall Dimensions:  
 A...31.5" (80.0 cm)  
 B...37.0" (94.0 cm)  
 C...6.6" (16.8 cm)  
 D...3.5" (8.9 cm)

Mounting Ring Opening...20" (50.8 cm)  
 Inflatable Bladder Temp. Rating:  
 -40°F (-40°C) to 150°F (65°C)  
 Manual Actuator  
 Shipping Weight.....92 lbs (202 KG)

## Actuator Cable Dimensions

Overall Dimension:  
 E...Per Customer Request



For more information contact:

BBJ Systems, Inc.  
 PO Box 2636  
 Bismarck, ND  
 58502-2636

Office  
 1-701-223-0543  
 Fax  
 1-701-223-0266

[www.bbjsystems.com](http://www.bbjsystems.com)

## System Requirements and Installation

The Pivotal Edge is designed to be installed with as few tools as necessary. Only common tools are required to install the cover and make the required connections. The majority of assembly is completed before the lid is delivered.

The only external connection required to install the Manual Pivotal Edge is a tie to the trailer's air supply.