



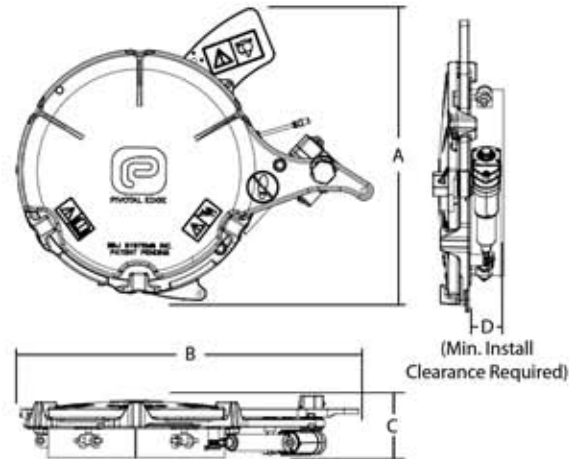
PIVOTAL EDGE

www.thepivotaledge.com

Electric Version

- * Work safely on the ground
- * Faster loading cycles
- * Inflatable gasket maintains a positive seal
- * No welding required for installation and is compatible with most 20 inch manholes
- * LED position indicator
- * Electrically powered screw jack
- * Low power consumption
- * Multiple cover operation
- * Flexible mounting options

Cover Dimensions



Overall Dimensions:

- A...32.3" (82.04 cm)
- B...39.4" (100.08 cm)
- C...7.2" (18.29 cm)
- D...3.4" (8.64 cm)

Mounting Ring Opening...20" (50.8 cm)

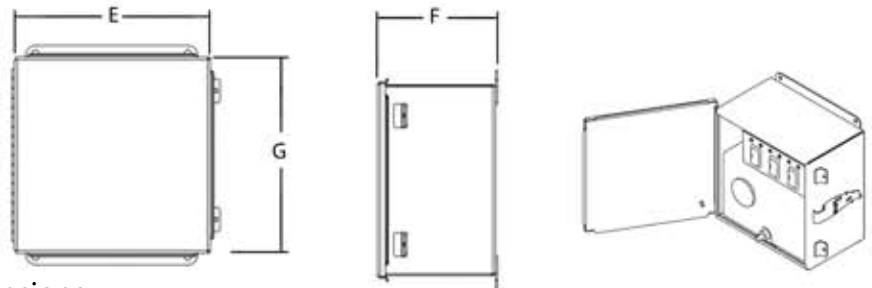
Inflatable Bladder Temp. Rating:

-40°F (-40°C) to 150°F (65°C)

Electric Actuator

Shipping Weight.....92 lbs (41.3 KG)

Control Box Dimensions



Overall Dimensions:

- E...10.3" (26.16 cm)
- F...6.3" (16.0 cm)
- G...10.3" (26.16 cm)

System Requirements and Installation

The Pivotal Edge is designed to be installed with as few tools as necessary. Only common tools are required to install the cover and make the required connections. The majority of assembly is completed before the lid is delivered. Power from the trailer's electrical system is required along with a connection to the trailer's air supply.

Specifications subject to change without notice.

Shipping information:

4503 19th St. SE
Mandan, ND 58554

For more information
contact:

Pivotal Edge
PO Box 2636
Bismarck, ND
58502-2636

Office
1-701-223-0543

thepivotaledge.com